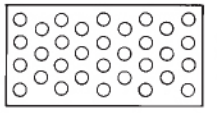
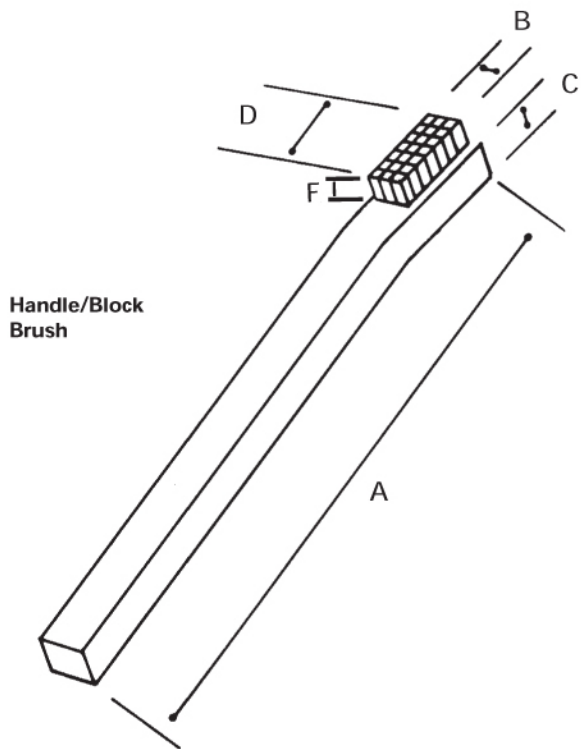
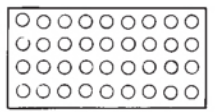


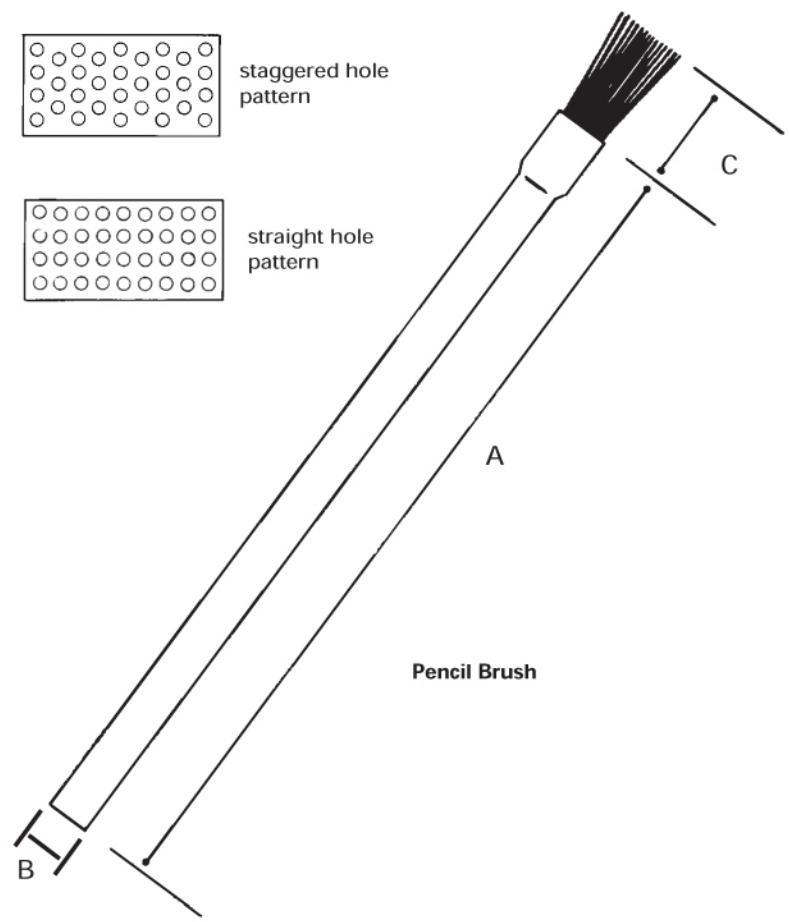
DESIGN SHEET: ESD BRUSHES



staggered hole pattern



straight hole pattern



Handle/Block Brush

Pencil Brush

Handle/Block Brush

Pencil Brush

- A. Handle/Block Length _____
- B. Handle/Block Width _____
- C. Handle Thickness _____
Handle Bend Angle (If Any) _____
Handle Material _____
- D. Brush Face Length _____
- E. Fill Material Type _____
Fill Diameter _____
Fill Color _____
Fill Style:
 Crimped or Level (straight)
- F. Fill Trim Length _____
- G. Hole Diameter _____
Hole Pattern:
 Staggered Straight
Number of Rows (length) _____
Number of Rows (width) _____

- A. Handle Length _____
- B. Handle Diameter _____
Handle Material _____
- C. Fill Trim Length _____
- D. Fill Material Type _____
Fill Diameter _____
Fill Color _____
Fill Style:
 Crimped or Level (straight)



Gordon Brush Mfg. Co., Inc.
BIGGER BETTER BRUSH IDEAS

6247 Randolph Street
Commerce, CA 90040-3514

CALL
(800) 933-0933

phone : (323) 724-7777
fax : (323) 724-1111
e-mail : tr@gordonbrush.com
web : www.gordonbrush.com

NAME _____ COMPANY _____ PHONE _____